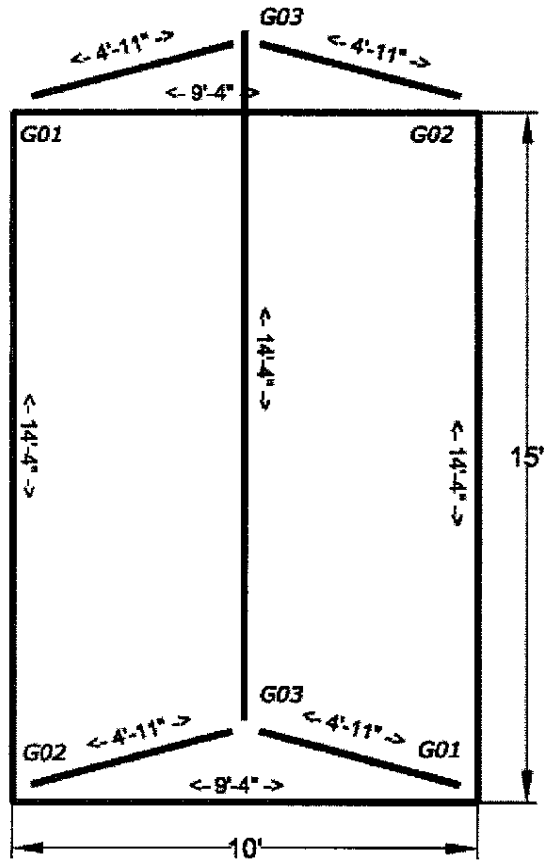
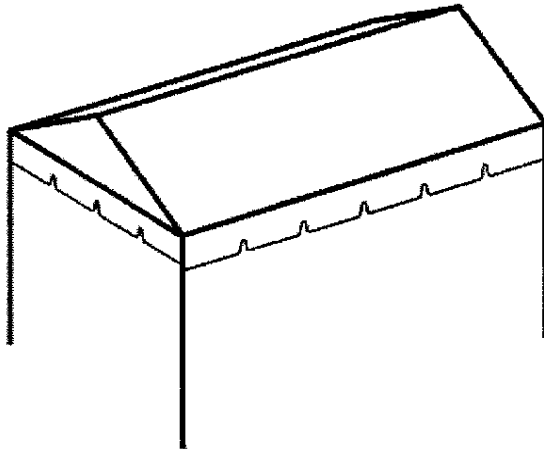


INTERNATIONAL TENT & EQUIPMENT MANUFACTURING, INC (757) 569-7970 Plant (757) 569-7980 Fax

10x15 Gable Frame Tent



Fittings		
2	Gable Left	G01
2	Gable Right	G02
2	Gable Crown	G03
26	Canopy Pins	P102

Poles			Color
2	9'4"	Spreader	White
3	14'4"	Spreader	Red
4	4'11"	Rafter	Blue
4	7'8"	Legs	Black

Frame Options	
1 in.	Frame
2 in.	Frame Heavy duty

Tops Options	
White 13oz.	Translucent
White 15oz.	Blackout
Colors (Solid or stripe)	
Expand 3 Pcs. Velcro only	

Accessories	
4	Base Plates
8	Ratchet ropes and Stakes (4 Minimum)
50	Feet-Sidewall

